

AXOR Starck
Rough, Freestanding Tub Filler
 Finishes : n.a. Part no. : 10452181



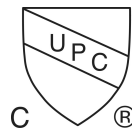
Features

- 1/2" NPT

Item details

List Price \$ 716.00

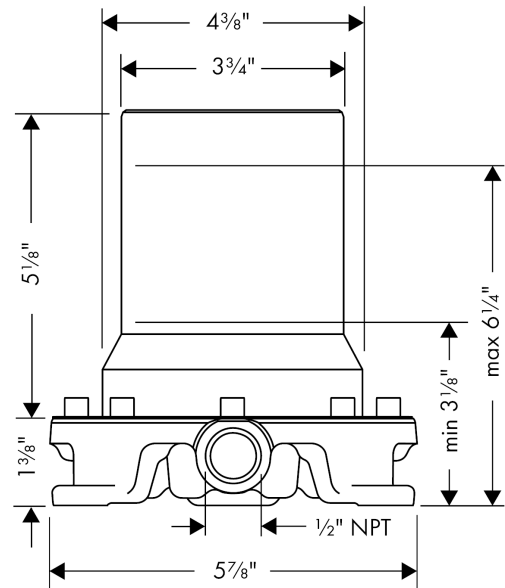
Compliance



Product image



Scale drawing

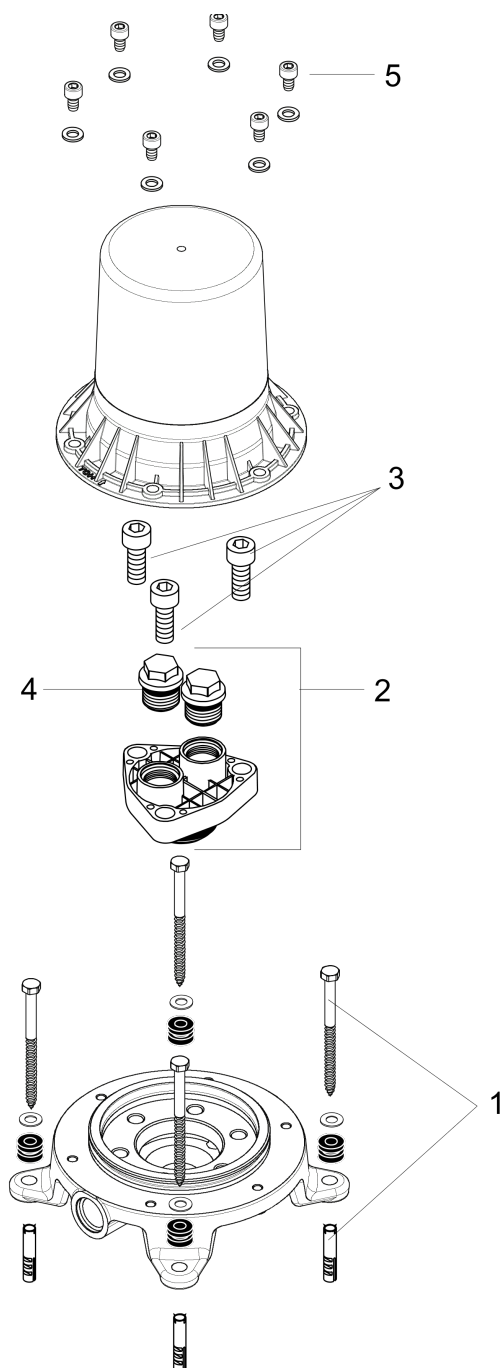


AXOR Starck
Rough, Freestanding Tub Filler
Finishes : n.a. Part no. : 10452181



Exploded drawing

Year of production: >12/08



AXOR Starck
Rough, Freestanding Tub Filler
 Finishes : n.a. Part no. : **10452181**



Spare parts list

Year of production: >12/08

| Pos. | | Part no. | Price | PU |
|------|-----------------------------|----------|-------|----|
| 1 | mounting kit | 96260000 | - | 1 |
| 2 | sealing set | 96459000 | - | 1 |
| 3 | hexagon socket screw M10x35 | 97670000 | - | 1 |
| 4 | O-ring 15x2,5 | 98131000 | - | 1 |
| 5 | hexagon socket screw M6x10 | 92847000 | - | 1 |